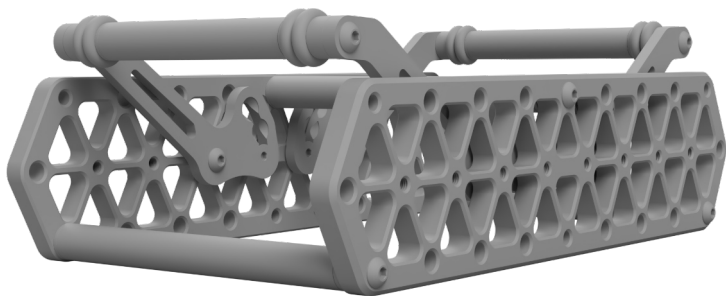




# Deltagrid Car Stand

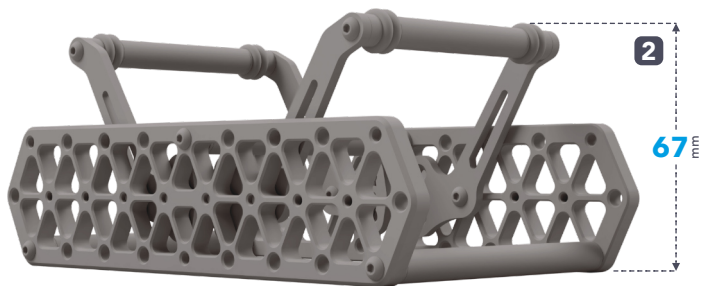
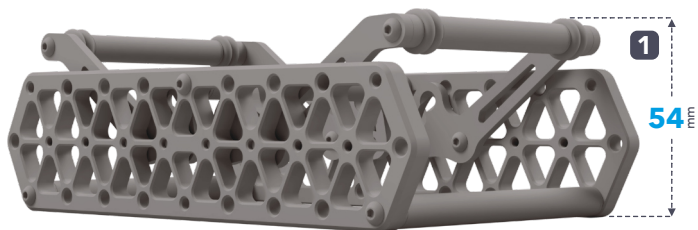
Quick Instruction



**Made with Passion.**

## Configurations

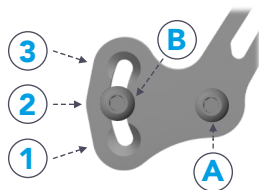
- 1** 10th scale on-road    **2** 10th scale off-road    **3** 8th scale off-road



## Lever Adjustment

To adjust the height, untighten Screw (A) just a tiny bit and Screw (B) just as much so that you can move the lever up and down.

Now select one of the three preset locations and retighten both screws again.



Do not overtighten the screws. (max. 1,2 NM torque.)

Make sure that all screws are retighten after lever adjustment.

Avoid hard hits against the pivot lever arms.

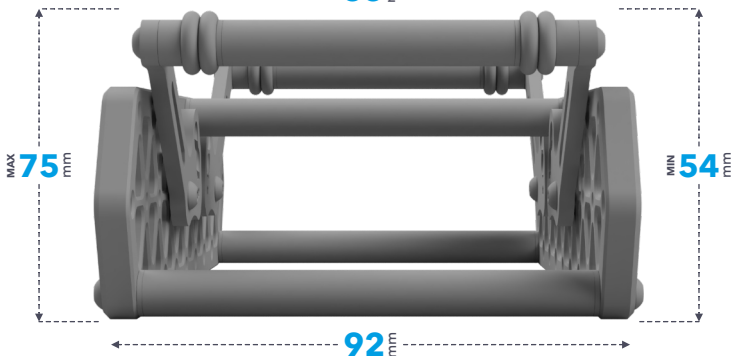
Do not add load greater than 30 kilograms. (65 lbs)

## Specifications

Load : <sup>MAX</sup> **30** KG



**65** mm



Length : **160** mm    Weight : **170** g